

acurlite
engineering light

Acurlite Structural Skylights Inc.
1017 North Vine Street, PO Box 5
Berwick, PA 18603

☎ 570.759.6882 ☎ 570.759.9552 ✉ sales@acurlite.com

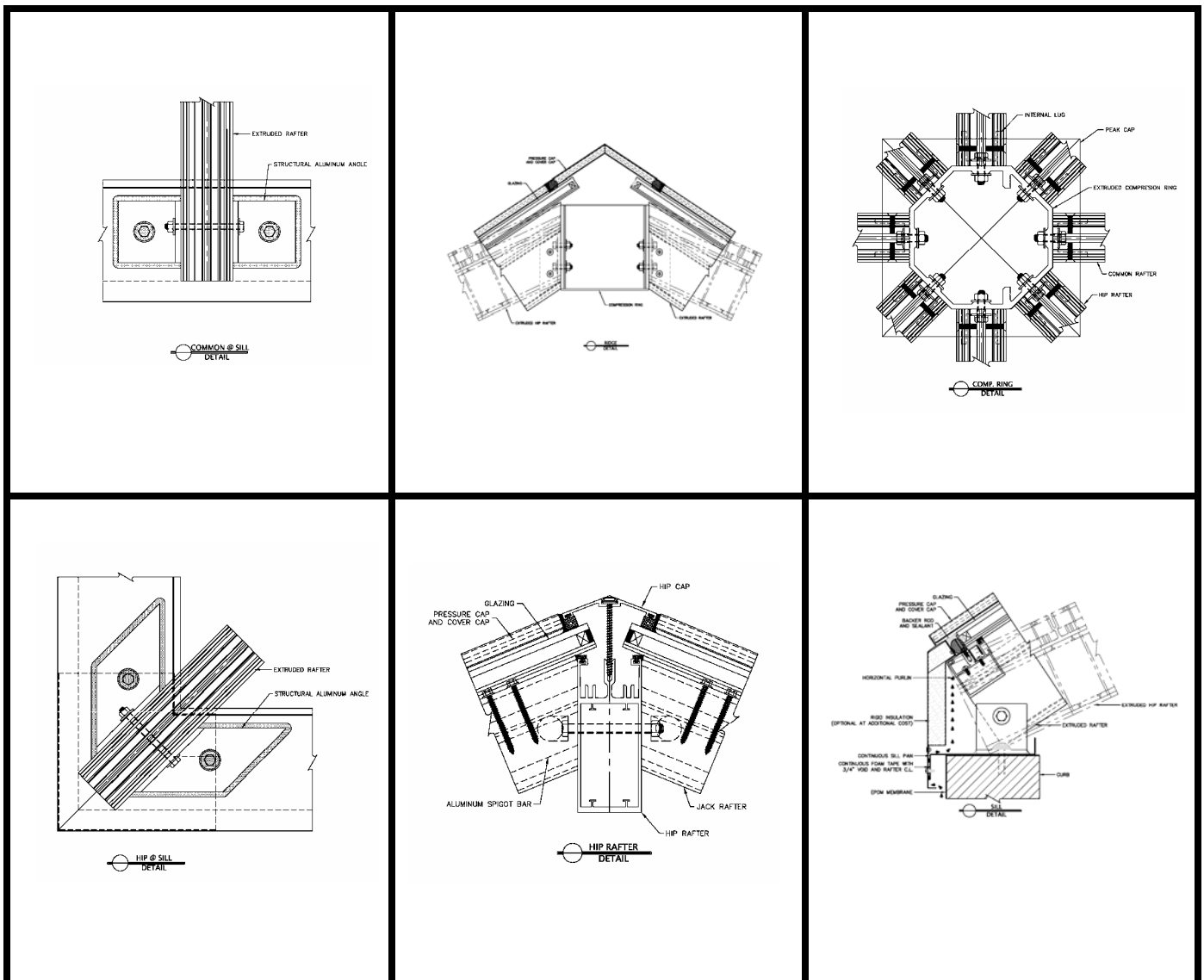


skylights
space enclosures
curtain walls
fabrication
engineering

"Offering quality solutions for all of your skylighting needs."

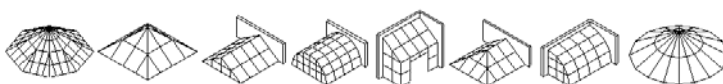


Pyramid Skylight
Typical Details:



*******Above details are typical skylight details; details are not project specific details. Non-Impact Unit for Impact Unit consult factory. *******

acurlite
Engineering Light



1017 N. Vine St., PO Box 5, Berwick, PA 18603
Phone: 570-759-6882 / Fax: 570-759-9552 / Email: sales@acurlite.com / Web: www.acurlite.com